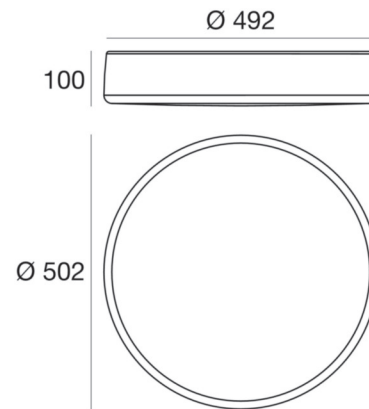
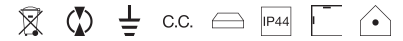


MyWhite Full light_R



| CRI 80
8160



Technical data	
Installation position	Wall lights - Ceiling
Installation environment	Indoor
Light Source	LED
Optics	General Lighting
Light emission direction	downward
Power	27 W
Luminous flux (source)	3177 lm
Frequency	60 - 50 Hz
CCT / Tonalità	3000 K
Colour rendering index	80 Ra
Safety class	1
IP	IP44
Glow wire test	850°
Direct mounting on normally flammable surfaces	Yes
CE	Yes
ETL	No
Fire Rated (BS 476 PT21 compliant)	No
Driver included	Driver
Induction	No
Emergency mode	No
Motion sensor	No
Directional	No
Tilting	No
Walk-over	No
Drive-over	No
Cable included	No
Resin potting	No
Type of light emission	Double emission
Net weight	3.85 Kg
Protezione scariche elettrostatiche	No
Protezione surge	No

Finishing diffuser	
Material	PE
Colour	neutral

MyWhite Full light_R



| CRI 80
8160

Double emission ceiling lights for indoor application. The warm white LED light source with a general lighting light distribution is composed of 108 topped LEDs with CCT of 3000 K and a CRI 80; the source luminous flux is 3177 lm, with a 117.7 lm/W nominal luminous efficacy and an operating lifetime (L70) of 72.5000 hours.

The diffuser is made of pe; the mounting frame is made of iron, with a zinc finish, processed by means of washing. The ingress protection degree is IP44; the total weight is of 3.85 kg.

The total absorbed power is 27 W.

The device features protection class I and can be wall lights or ceiling-mounted.

Illuminotechnical Features

Light Output Ratio (LOR)	88 %
Luminous flux (source)	3177 lm
Luminaire luminous flux	2826 lm
Consumption	27 W
Luminaire efficacy	104 lm/W
Colour temperature	3000 K
Standard Deviation of Colour Matching	3 Step MacAdam
Colour rendering index	80 Ra

Life / Failure Ratio

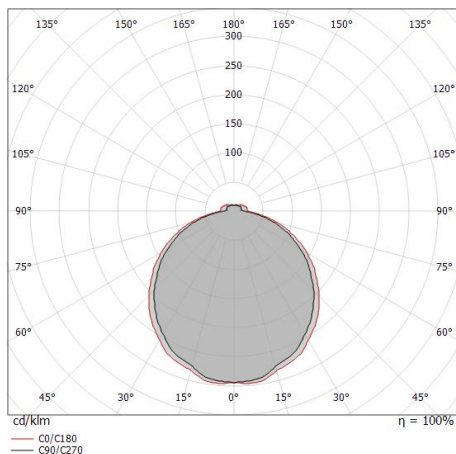
L70 B20 C0 72.5h

UGR

X=4H Y=8H	S=0.25H
Reflection factor	70/50/20
UGR transversal	< 19
UGR axial	< 19

OPTICAL

Light distribution simmetry	Symmetrical 2
Ottica C0/C180	118°
Ottica C90/C270	113°



Distance [m]	Cone diameter [m]	E(0°)	E(C90)	E(C0)
0.5	1.51 1.68	3328	280	226
1.0	3.02 3.36	832	70	56
1.5	4.53 5.03	370	31	25
2.0	6.04 6.71	208	18	14
2.5	7.55 8.39	133	11	9
3.0	9.07 10.07	92	8	6

Distance [m] Cone diameter [m] Illuminance [lx]

— C0/C180 (Half-peak divergence: 118.4°)
— C90/C270 (Half-peak divergence: 113.0°)